



EXEL & *EXEL Plus*

FEF+3

Fan Powered
Gas Coal Radiant Fire

Models: 549.RMN, 549.RML, 649.RTN, 649.RWN

749.SMN, 749.SML, 849.STN, 849.SWN

USERS INSTRUCTIONS

THIS PRODUCT IS APPROVED TO THE EUROPEAN GAS DIRECTIVE

THESE INSTRUCTIONS SHOULD BE READ BEFORE USING
AND RETAINED BY THE USER FOR FUTURE REFERENCE

SERVICING & MAINTENANCE

Your fire should be serviced annually in order to ensure there is no deterioration in its performance and appearance. We recommend that you contact your Trident supplier who will ensure that a competent person carries out the work.

FAULT SYMPTOMS

This fire is designed and manufactured to give many years of trouble-free operation. In the unlikely event of a component failure or installation problem, the fire will restore to a "fail-safe" condition.

However, faults can be caused by situations other than component failure and we strongly recommend that you consider the following points when using your fire.

Since the air supply for the fire is drawn by a fan and extracted to the outside air along with the spent products of combustion, it is inevitable that fluff, lint, dust and even pet hairs could stick to the blades of the fan in the flue system. Without regular cleaning during maintenance checks, this build-up could slow down the fan to an extent that might cause the 'flue-flow safety device' to operate and shut down the gas supply to the fire.

This 'nuisance' shut down can be avoided by observing the Servicing & Maintenance recommendations in the Installation Manual.

It is also possible that the air-flow sensing device in the fan system might, under extreme weather conditions such as high, blustery winds, shut down the fire inadvertently. The fire IS designed to do this so as to avoid combustion products being blown back into your room. Should the fire ever shut down - relight the fire after a delay of around three minutes.

GUARANTEE

This fire is guaranteed for one year from date of purchase, provided that :-

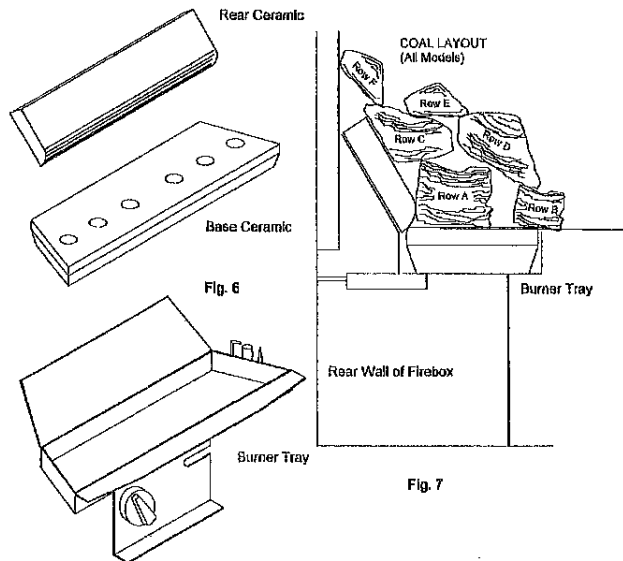
- a) The installation has been carried out by a Competent Gas Fitter.
- b) The instructions for cleaning and handling have been adhered to.
- c) The guarantee card supplied with every appliance is returned to us for registration within 30 days from the date of purchase with all of the details correctly filled in.
- d) Any part or parts on which a claim is made are returned to us postage paid for inspection.
- e) Our liability is limited to the free replacement of the part or parts affected.
- f) This guarantee does not cover (i) normal wear & tear
(ii) possible discoloration of polished parts

FEF UK Ltd. 32-38 Intake Rd. Intake Industrial Estate , Bolsover.
Chesterfield Derbyshire. S44 6BB Tel: 01246 823333 Fax: 01246 824444
Email: info@fef.uk.com

ASSEMBLING THE FIRE & PLACING THE COALS (all models)

CAUTION : All of the ceramic components are **FRAGILE** and should be handled with care.

- 3.1 The fire tray and ceramics are illustrated in Fig. 6. Take the base ceramic and place it on the fire tray then take the rear ceramic and stand it upright at the rear of the base ceramic.
- 3.2 With reference to Fig. 7 Lay the coals as follows :
- ROW A.** Place 5 Large Square Coals evenly spaced along the back edge of the base ceramic and tightly up against the rear ceramic.
 - Row B.** Place 6 Small Square Coals at the front of the burner tray ensuring that the burner ports in the base ceramic remain clear. (These coals should be evenly spaced and project on to the front spacer)
 - Row C.** Place 4 Large Random Coals on top of Row A, packed tightly together and resting against the rear ceramic.
 - Row D.** Bridge the gap between Rows A and B with 5 Large Random Coals evenly spaced and positioned lengthways from back to front.
 - Row E.** Place 4 Small Random Coals between Rows D & E and bridging the gap between the coals in Row D
 - Row F.** Place 3 Small Random Coals (evenly spaced) resting on Row C and touching the back of the fire.



USER'S INSTRUCTIONS

- The installation of this appliance must be carried out by a competent person and in accordance with the requirements of the GAS SAFETY (INSTALLATION & USE) REGULATIONS 1984.
- As with any fire, certain components will become hot in use, for example the Decorative Fret in front of the fire. Care should be exercised when using the controls of the appliance when the appliance is hot. We also recommend that a fireguard, conforming to BS 6539 or BS 6778, be fitted for the protection of young children, the elderly or infirm.
- When new, the ceramic coals may produce a slight odour, but this will completely vanish after a few hours use.
- Handle the coals gently; they are fragile. A soft brush can be used to clean them of any excess soot. **UNDER NO CIRCUMSTANCES** should coals be washed with any liquid.
- Never throw cigarette ends or other foreign matter on to the fire.
- Never leave the house unattended with the fire alight, for long periods.
- Check periodically, that any purpose made ventilation is free from obstruction.
- To obtain the best results from your fire, we recommend that it is serviced annually by a qualified person.
- These instructions are provided to assist you in operating the fire correctly and should be kept in a safe place.

SAFETY FEATURES

Your fire is fitted with a Flame Supervision Device, which cuts off the gas supply to the fire if, for any reason, the pilot light is extinguished. The pilot light heats the probe of the thermocouple and allows gas to flow to the main burner. If, due to pilot failure, the thermocouple cools, no gas will flow to the main burner. If the fire is turned off or the flames go out, wait for **AT LEAST 3 MINUTES** before attempting to re-light it.

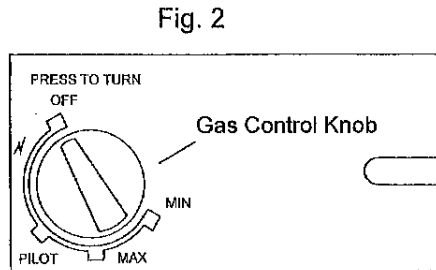
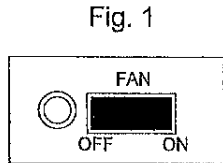
LIG

For Models 649.RTN, 649.RWN, 849.STN & 849.SWN (remote-switched) - see section 2

- 1.1 Push in and turn the gas control knob anticlockwise to the pilot position.
- 1.2 Hold the knob in for several seconds and purge the air from the system.
- 1.3 With the knob still depressed, turn it from the OFF position to the PILOT position until the pilot light ignites. Continue to depress the control knob for a further 10 - 15 seconds. Release the control knob; the pilot should stay alight. If the pilot flame goes out, repeat the process, holding down the control knob for a slightly longer period.
- 1.4 Switch on the mains electricity supply at the fused spur or the switched plug. Switch on the fan by depressing the Fan switch on the control panel. (see Fig. 1) After a short while the fan will achieve optimum speed and the air pressure switch (in the fan box) will detect adequate air flow and open the solenoid valve. When this occurs, the green 'GAS' neon indicator will be illuminated, indicating that gas is available to the main burner.
- 1.5 Depress the gas control knob slightly and turn it anticlockwise to the HIGH position. The main burner should now light. (see Fig. 2)
- 1.6 Turn the knob anticlockwise to the LOW position, the flames will get lower but the main burner will still be alight.
- 1.7 The gas control knob may be set anywhere between HIGH and LOW settings.

IMPORTANT: After turning OFF, or if the pilot and appliance go out for any reason then wait 3 minutes before attempting to re-light the appliance.

NOTE: It is perfectly safe and acceptable, to switch the fire on and off just by using the fan switch when the gas control knob is on high or low (or anywhere between). Doing this simply leaves a standing pilot.



LIGHTING INSTRUCTIONS FOR 'REMOTE-SWITCHED' VERSIONS

649.RTN, 649.RWN, 849.STN & 849.SWN

See Fig. 3, 4 and 5

- 2.1 Push in and turn the control knob anticlockwise to the pilot position. (see Fig. 5)
- 2.2 Hold the knob in for several seconds and purge the air from the system.
- 2.3 With the knob still depressed, turn it from the OFF position to the PILOT position until the pilot light ignites. Continue to depress the control knob for a further 10 - 15 seconds. Release the control knob; the pilot should stay alight. If the pilot flame goes out, repeat the process, holding down the control knob for a slightly longer period.
- 2.4 Switch on the mains supply at the fused spur. Switch on the fan by depressing the Fan switch on either the 'Trim Switch' or the 'Wall Switch'. (see Fig. 3 or 4). After a short while the fan will achieve optimum speed and the air pressure switch (in the fan box) will detect adequate airflow and open a solenoid valve. When this occurs, gas is available to the main burner.
- 2.5 Depress the gas control knob slightly and turn it anticlockwise to the ON position. The main burner should now light.
- 2.6 Depress the second switch and the flames will get lower but the main burner will still be alight.
- 2.7 By leaving the pilot light permanently lit, the fire can be controlled (ON/OFF) and (HIGH/LOW) by simply operating the two switches on the appliance or on the wall switch.

If the fire is turned of or the flames go out, wait 3 minutes before attempting to re-light the appliance.

Fig. 3

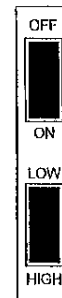


Fig. 4

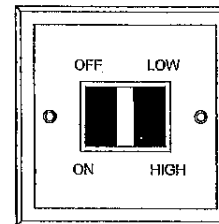
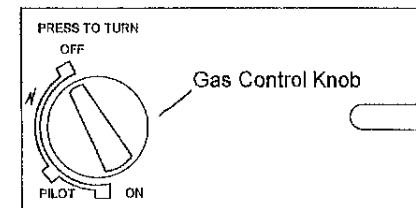


Fig. 5



CONTROLS FOR 'REMOTE-SWITCHED' FIRES